



CONTROL JOINTS FOR FIRE-RESISTANCE RATED SYSTEMS (GA-234-08)

Control joints in gypsum panel product systems shall be installed where indicated on the plans or specifications. Gypsum Association recommended specifications and manufacturer's recommendations specify minimum requirements for the installation of control joints. Control joints in the gypsum board systems shall be specified by the architect or designer where any of the conditions listed below exist.

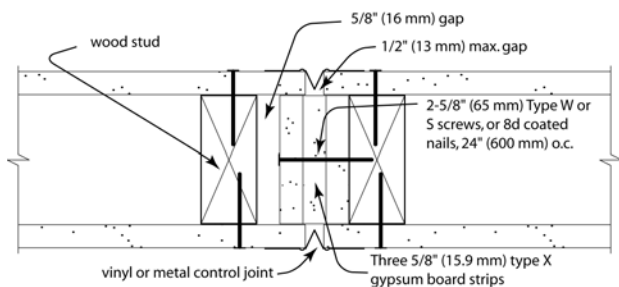
1. A partition, wall, or ceiling traverses a construction joint (expansion, seismic, or building control element) in the base building structure.
2. Where a wall or partition runs in an uninterrupted straight plane exceeding 30 ft (9 m) in length and total area between control joints does not exceed 900 ft² (81 m²).
NOTE: Full height door frames may be considered a control joint.
3. Interior Ceilings With Perimeter Relief: Control joints shall be installed so that linear dimensions between control joints shall not exceed 50 ft (15 m) and total area between control joints does not exceed 2500 ft² (225 m²).
4. Interior Ceilings Without Perimeter Relief: Control joints shall be installed so that linear dimensions between control joints shall not exceed 30 ft (9 m) and total area between control joints does not exceed 900 ft² (81 m²).
5. Exterior Ceilings and Soffits: Control joints shall be installed so that linear dimensions between control joints shall not exceed 30 ft (9 m) and total area between control joints does not exceed 900 ft² (81 m²).
6. A control joint or intermediate blocking shall be installed where ceiling framing members change direction.
7. A control joint is desired or incorporated as a design accent or architectural feature.

The methods shown for protecting control joints in 1-hour floor-ceiling systems, either direct-attached, furred, or suspended, are applicable to all 1-hour floor ceiling systems with either wood or metal framing including, but not limited to, dimension lumber, wood trusses, wood I- beams, steel bar joists, and steel channel joists.

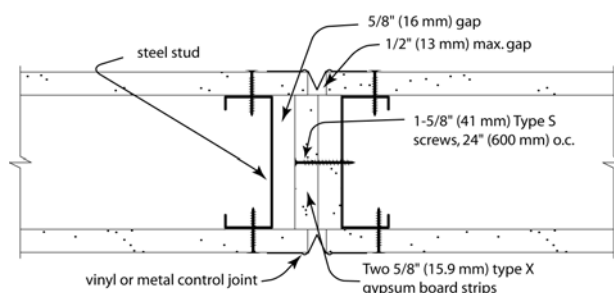
Individual gypsum board strips applied behind control joints in ceiling systems shall be not less than the shorter of 48 in. (1200 mm) or the length of the control joint.

This document may be revised or withdrawn from circulation at any time. The status of the document should be verified by the user prior to following any recommendations contained herein. To verify that you have the most current edition of the document, access the Gypsum Association website at: www.gypsum.org.

1-HOUR WALL & PARTITION SYSTEMS

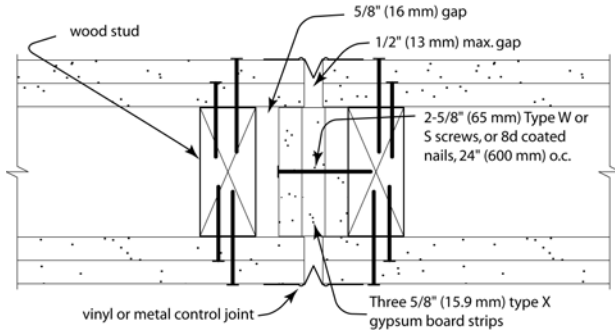


1-HOUR WOOD FRAMED
(WHI-647-3024, 9-20-90)

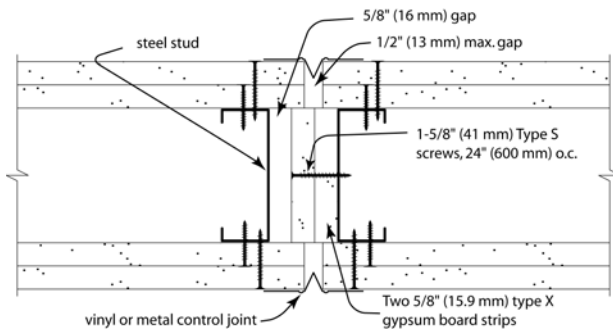


1-HOUR NONCOMBUSTIBLE
(WHI-647-3024, 9-20-90)

2-HOUR WALL & PARTITION SYSTEMS



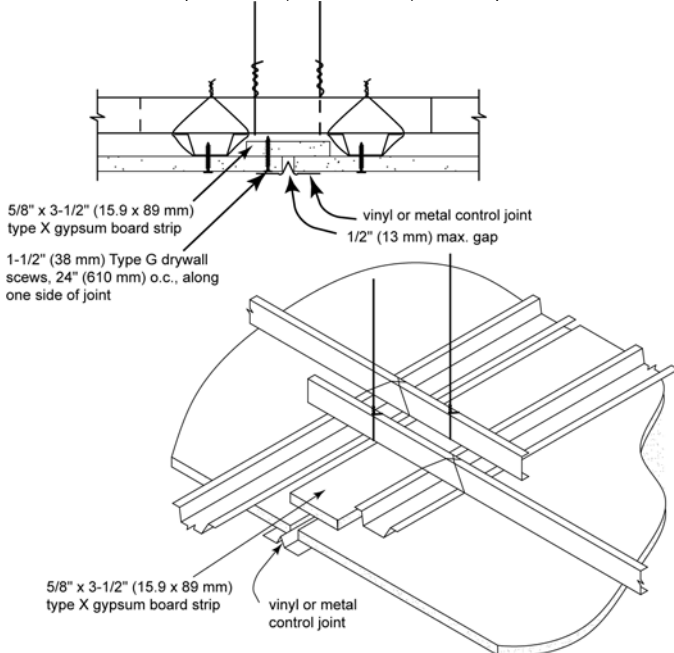
2-HOUR WOOD FRAMED
(WHI-647-3024, 9-20-90)



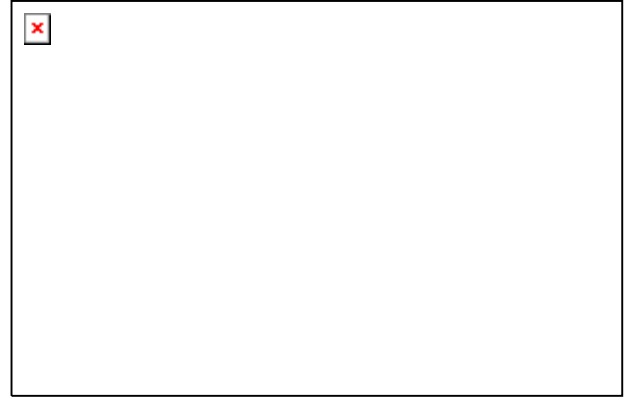
2-HOUR NONCOMBUSTIBLE
(WHI-651-0318.1, 3-20-90)

1-HOUR FLOOR-CEILING SYSTEM WITH SUSPENDED CEILING

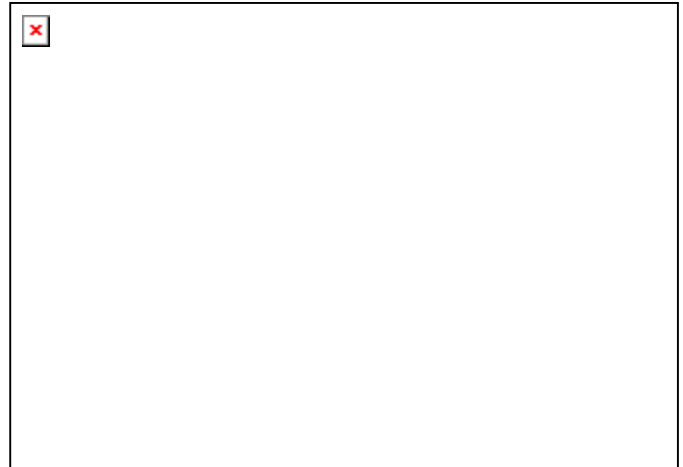
(UL R4024, 96NK13566, 7-29-96)



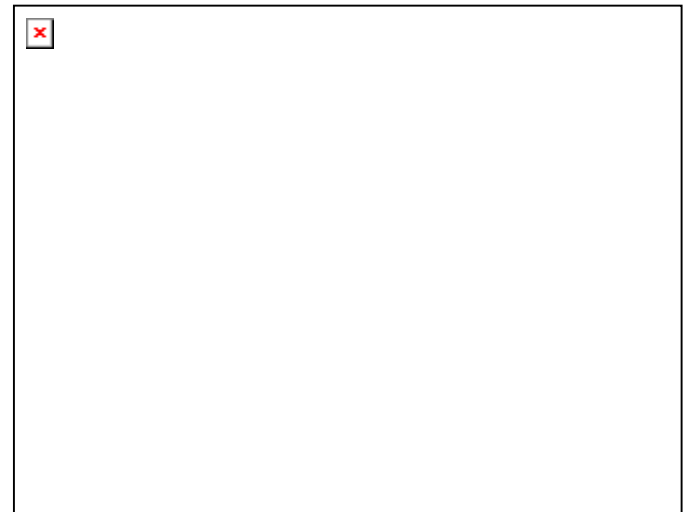
1-HOUR WOOD FRAMED FLOOR-CEILING SYSTEMS



CONTROL JOINT PARALLEL TO FRAMING WITH DIRECT-ATTACHED CEILING
(UL R4024, 97NK13566, 7-29-96)



CONTROL JOINT PARALLEL TO FRAMING WITH FURRED CEILING
(UL R4024, 97NK2136, 2-7-97)



CONTROL JOINT PERPENDICULAR TO FRAMING WITH FURRED CEILING
(UL R4024, 96NK13566, 7-29-96)